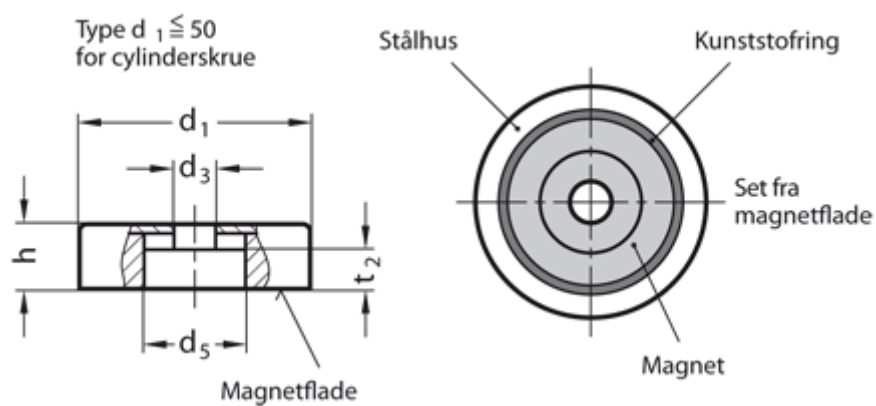


Article number: 201226051

Description: E+G Magnets with bore GN 50.4-HF-100
Hard ferrite - 200° C, 680N

Measures



d1 = 100 +0,5/-0,1

d3 = 10.5

d5 = 34.0

h = 22 +0,5/-0,1

Holding force N = 680

Material = HF hard ferrite - 200°.C

t2 = 18.0